



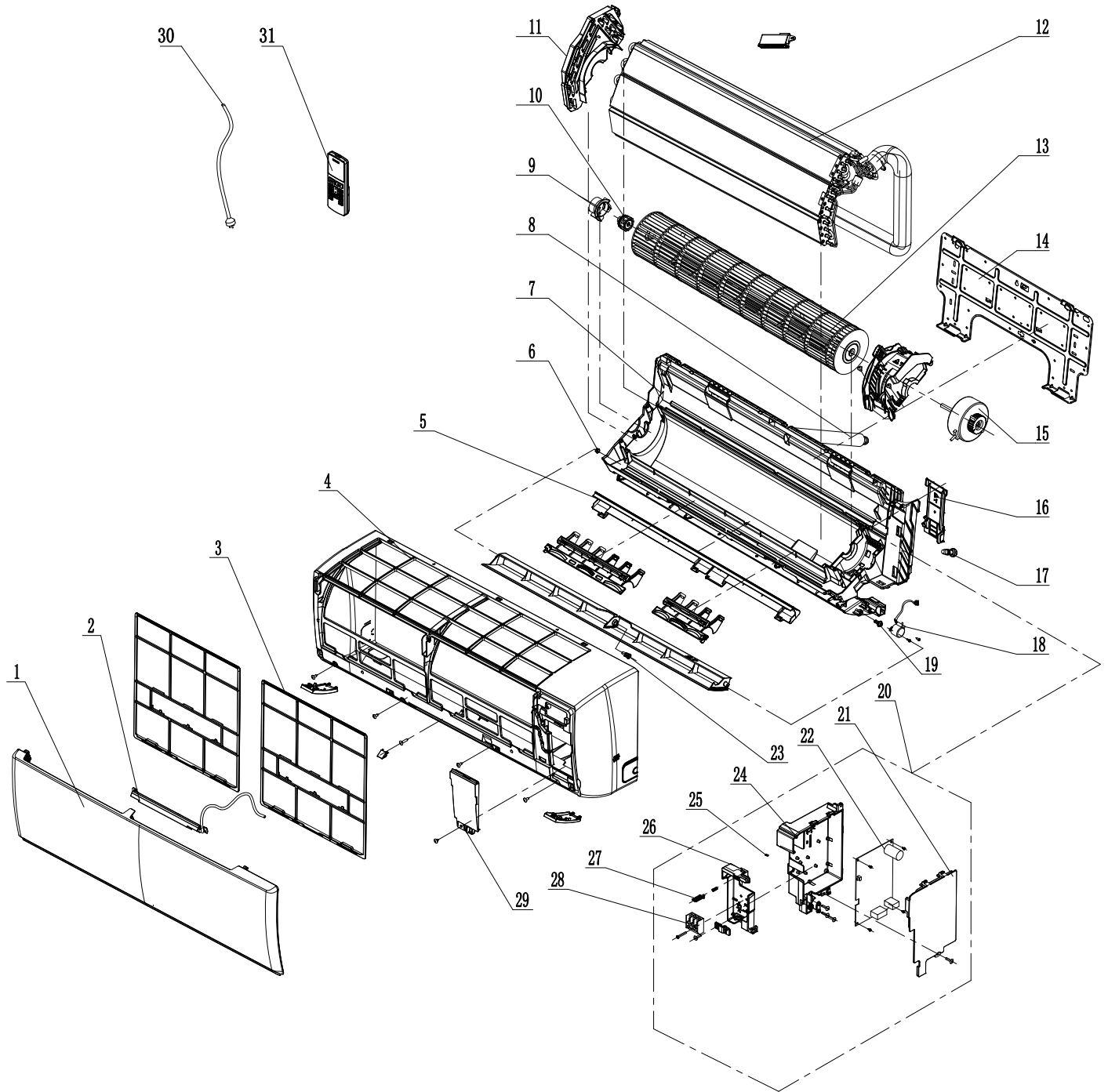
GWH - HYPER

SPARE PARTS LIST

February 2023

GWH09ABA-K6DNC8B/I

Exploded View



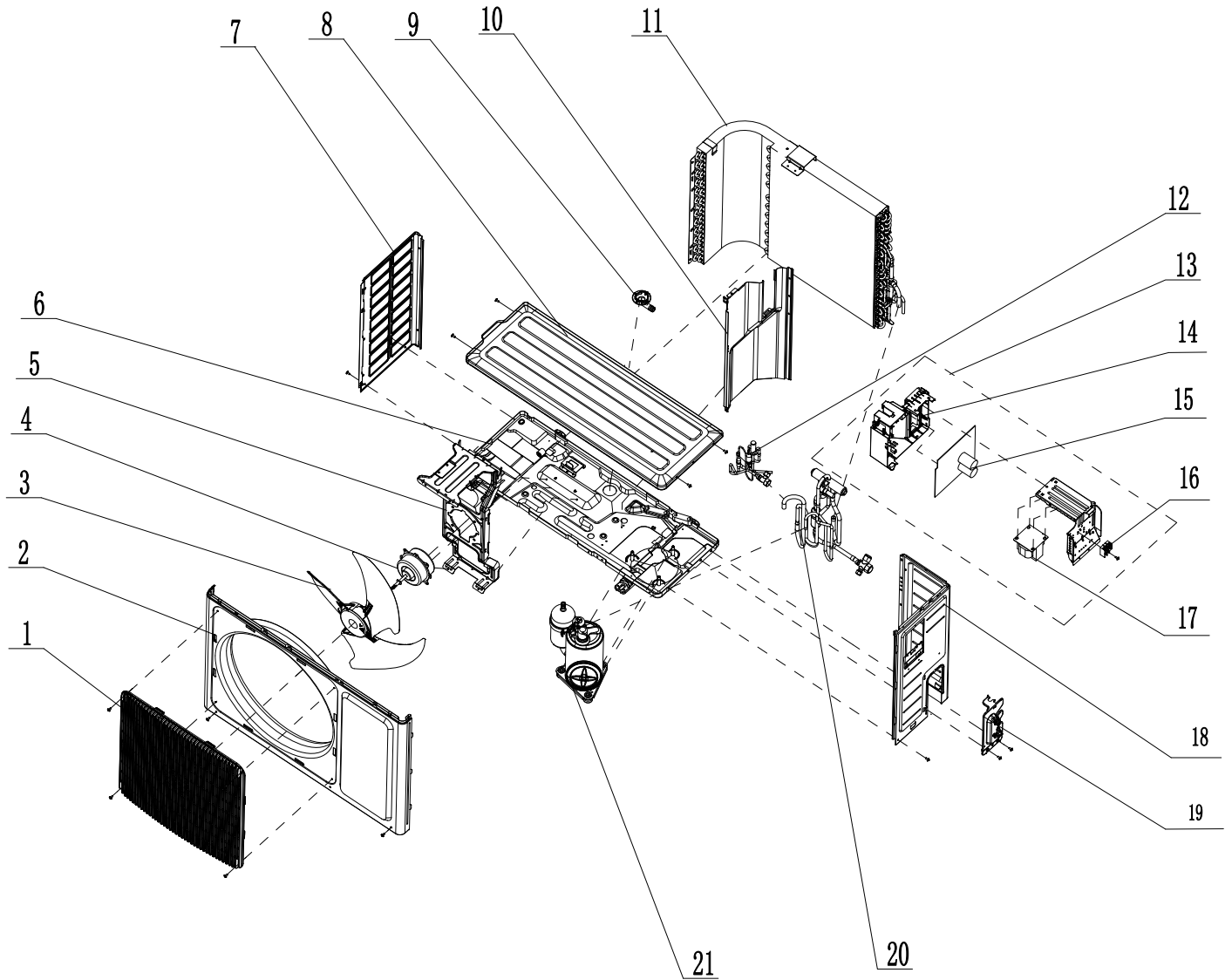
GWH09ABA-K6DNC8B/I

Spare Parts List

No.	Part Description	Part Code
1	Front Panel	200003000082T
2	Display Board	300001000150
3	Filter Sub-Assy	111001000023
4	Front Case Assy	000002000035
5	Helicoid Tongue	200006000004
6	Left Axile Bush	10512037
7	Rear Case assy	00000100001901
8	Drainage Hose	0523001408
9	Ring of Bearing	26152022
10	O-Gasket sub-assy of Bearing	76512051
11	Evaporator Support	200025000007
12	Evaporator Assy	01100100327
13	Cross Flow Fan	103001000002
14	Wall Mounting Frame	01252484
15	Brushless DC Motor	1501214002
16	Connecting pipe clamp	200017000002
17	Rubber Plug (Water Tray)	76712012
18	Stepping Motor	1521210704
19	Crank	73012005
20	Electric Box Assy	100002004205
21	Electric Box Cover2	200082000008
22	Main Board	300002000881
23	Axile Bush	10542036
24	Electric Box	200013000012
25	Jumper	4202021901
26	Electric Box Supporter	200013000013
27	Button	200055000003
28	Terminal Board	422000000022
29	Electric Box Cover2	200082000008
30	Power Cord	N/A
31	Remote Controller	305001000067

GWH09ABA-K6DNA1B/O

Exploded View



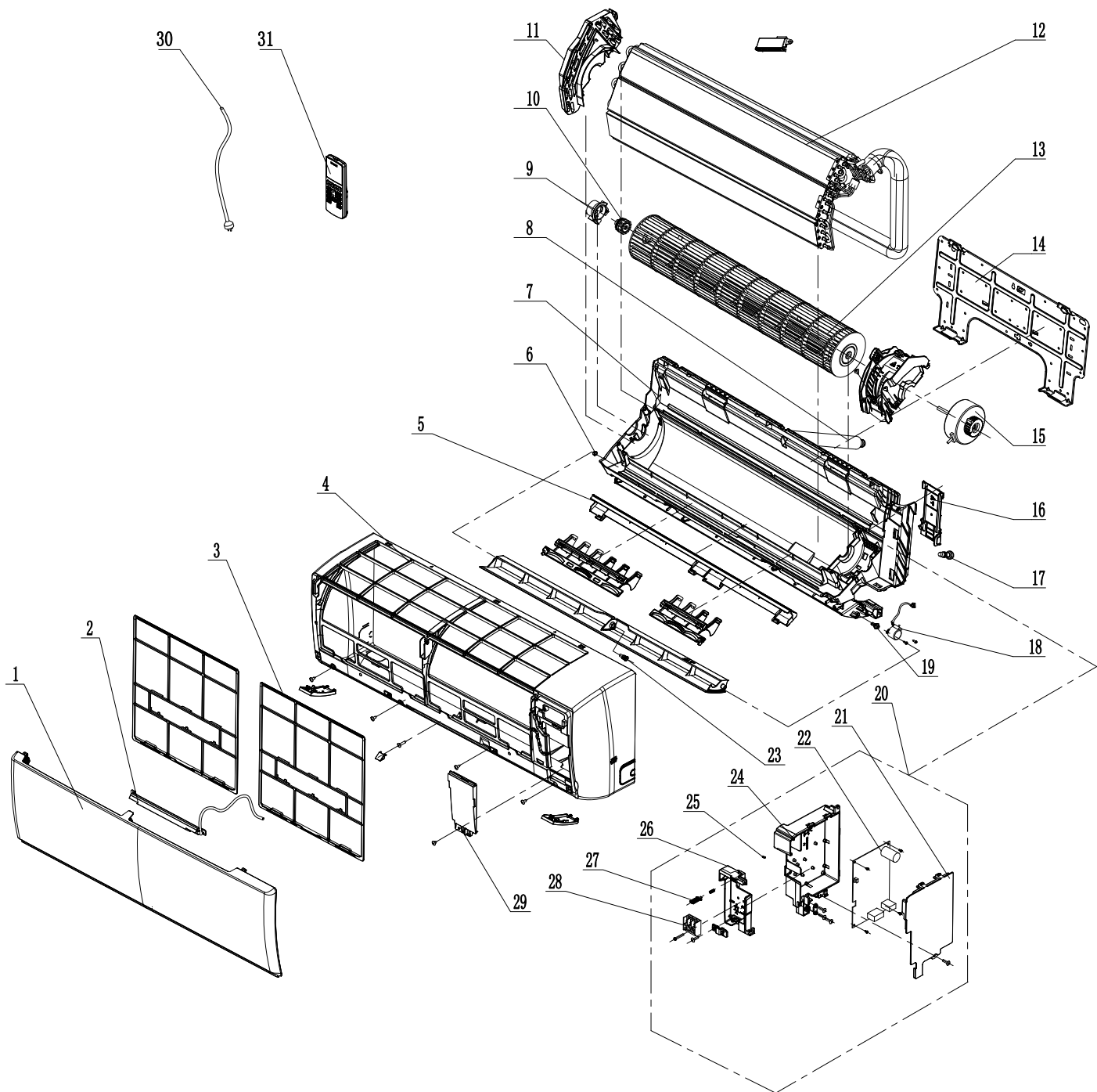
GWH09ABA-K6DNA1B/O

Spare Parts List

No.	Part Description	Part Code
1	Front Grill	22413038
2	Front panel Assy	0153305101
3	Axial Flow Fan	10333011
4	Fan Motor	1501308507
5	Motor Support Sub-Assy	01703180
6	Chassis Sub-assy	01700000210P
7	Left Side Plate	01303169P
8	Top cover	012049000006P
9	Drainage Joint	26113009
10	Clapboard Sub-Assy	01233201
11	Condenser Assy	011002000472_L68157
12	Electric Expansion Valve Sub-Assy	030026000186
13	Electric Box Assy	100002001796
14	Electric Box	20113032
15	Main Board	300027000326
16	Terminal Board	422000060016
17	Reactor	43130184
18	Right Side Plate	0130324403P
19	Valve Support Sub-Assy	01713115P
20	4-Way Valve Assy	030152000316
21	Compressor and Fittings	009001000067
	EXV Coil	72002000012

GWH12ABA-K6DNC8B/I

Exploded View



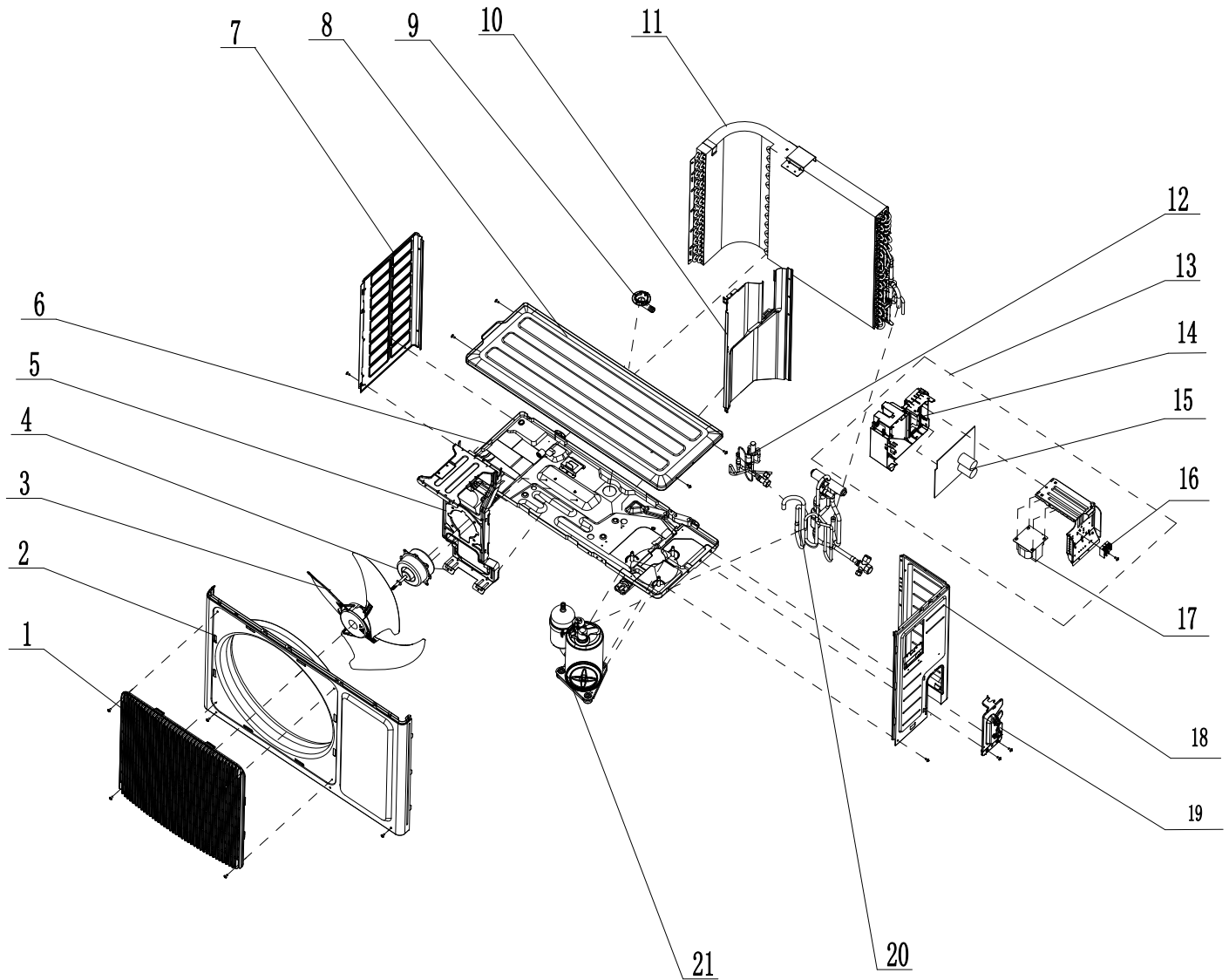
GWH12ABA-K6DNC8B/I

Spare Parts List

No.	Part Description	Part Code
1	Front Panel	200003000082T
2	Display Board	300001000150
3	Filter Sub-Assy	111001000023
4	Front Case Assy	000002000035
5	Helicoid Tongue	200006000004
6	Left Axile Bush	10512037
7	Rear Case assy	00000100001901
8	Drainage Hose	0523001408
9	Ring of Bearing	26152022
10	O-Gasket sub-assy of Bearing	76512051
11	Evaporator Support	200025000007
12	Evaporator Assy	01100100327
13	Cross Flow Fan	103001000002
14	Wall Mounting Frame	01252484
15	Brushless DC Motor	1501214002
16	Connecting pipe clamp	200017000002
17	Rubber Plug (Water Tray)	76712012
18	Stepping Motor	1521210704
19	Crank	73012005
20	Electric Box Assy	100002004161
21	Electric Box Cover2	200082000008
22	Main Board	300002000881
23	Axile Bush	10542036
24	Electric Box	200013000012
25	Jumper	4202021905
26	Electric Box Supporter	200013000013
27	Button	200055000003
28	Terminal Board	422000000022
29	Electric Box Cover2	200082000008
30	Power Cord	N/A
31	Remote Controller	305001000067

GWH12ABA-K6DNA1B/O

Exploded View



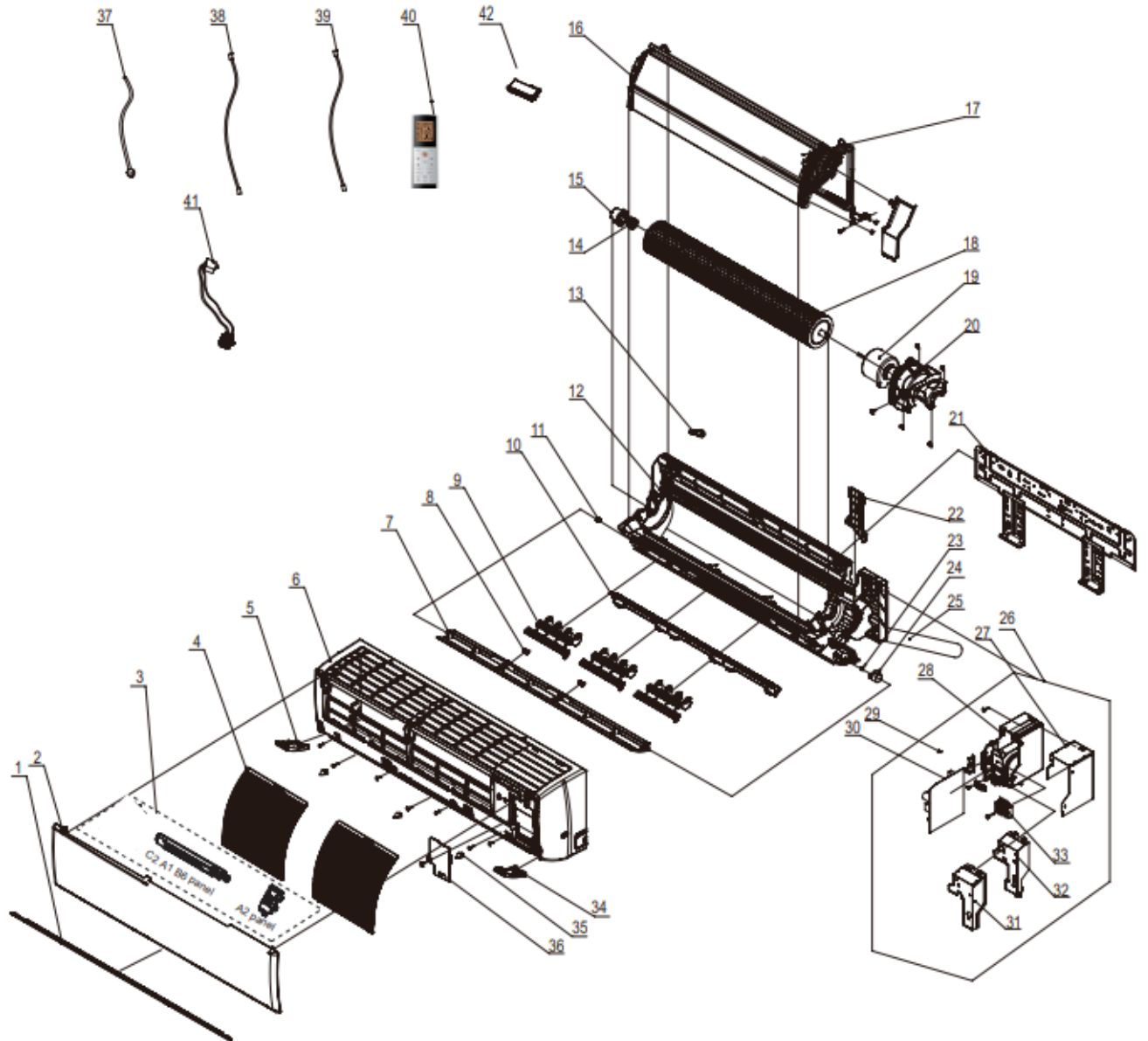
GWH12ABA-K6DNA1B/O

Spare Parts List

No.	Part Description	Part Code
1	Front Grill	22413038
2	Front panel Assy	0153305101
3	Axial Flow Fan	10333011
4	Fan Motor	1501308507
5	Motor Support Sub-Assy	01703180
6	Chassis Sub-assy	01700000210P
7	Left Side Plate	01303169P
8	Top cover	012049000006P
9	Drainage Joint	26113009
10	Clapboard Sub-Assy	017021000084
11	Condenser Assy	011002000400_L68157
12	Electric Expansion Valve Sub-Assy	N/A
13	Electric Box Assy	100002001386
14	Electric Box	20113032
15	Main Board	300027000136
16	Terminal Board	422000060016
17	Reactor	43130184
18	Right Side Plate	0130510001P
19	Valve Support Sub-Assy	01713115P
20	4-Way Valve Assy	030152000281
21	Compressor and Fittings	009001000067

GWH15QD-K6DNC8A/I

Spare Parts List



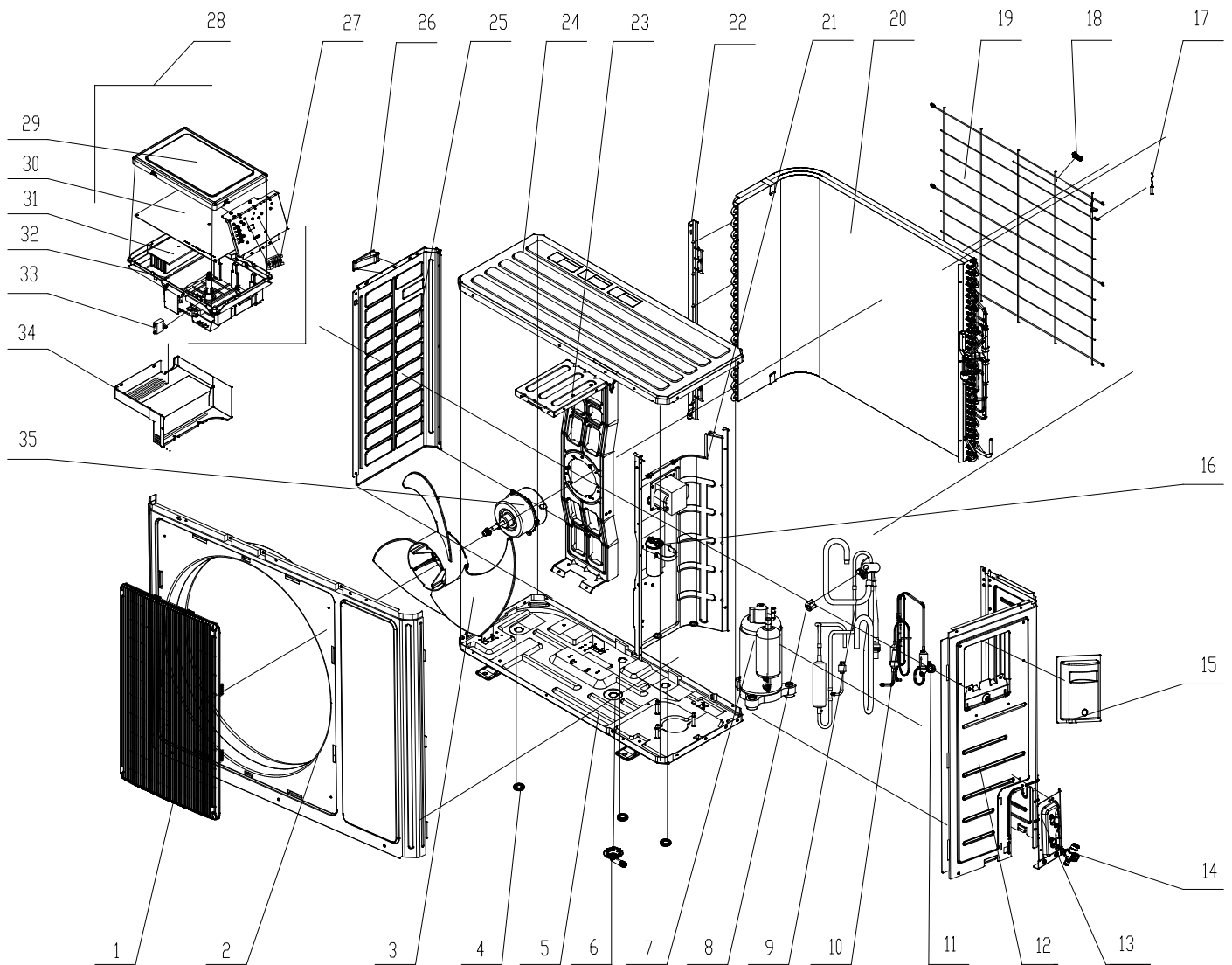
GWH15QD-K6DNC8A/I

Spare Parts List

No.	Part Description	Part Code
1	Decorative Strip	N/A
2	Front Panel	20000300153T
3	Display Board	300001000144
4	Filter Sub-Assy	11122089
5	Decorative Board (Left and Right)	20192662
6	Front Case Assy	00000200042
7	Guide Louver	1051276501
8	Axile Bush	10542036
9	Air Louver	10512736
10	Helicoid Tongue	26112512
11	Left Axile Bush	10512037
12	Rear Case assy	00000100001
13	Rubber Plug (Water Tray)	76712012
14	O-Gasket sub-assy of Bearing	76512051
15	Ring of Bearing	26152025
16	Evaporator Support	24212177
17	Evaporator Assy	01002686
18	Cross Flow Fan	10352060
19	Fan Motor	15012136
20	Motor Press Plate	26112511
21	Wall Mounting Frame	01362026
22	Connecting pipe clamp	2611218801
23	Crank	73012005
24	Stepping Motor	1521240212
25	Drainage Hose	05230014
26	Electric Box Assy	100002004110
27	Lower Shield of Electric Box	01592139
28	Electric Box	20112211
29	Jumper	4202021925
30	Main Board	300002000878
31	Shield Cover of Electric Box	01592176
32	Electric Box Cover	20112209
33	Terminal Board	42011233
34	Decorative Board (Right)	N/A
35	Screw Cover	2425201726
36	Electric Box Cover2	20112210
37	Power Cord	N/A
38	Connecting Cable	N/A
39	Connecting Cable	4002052317
40	Remote Controller	305001000067
41	Cold Plasma Generator	N/A
42	Holder	N/A

GWH15QD-K6DNA1A/O

Exploded View



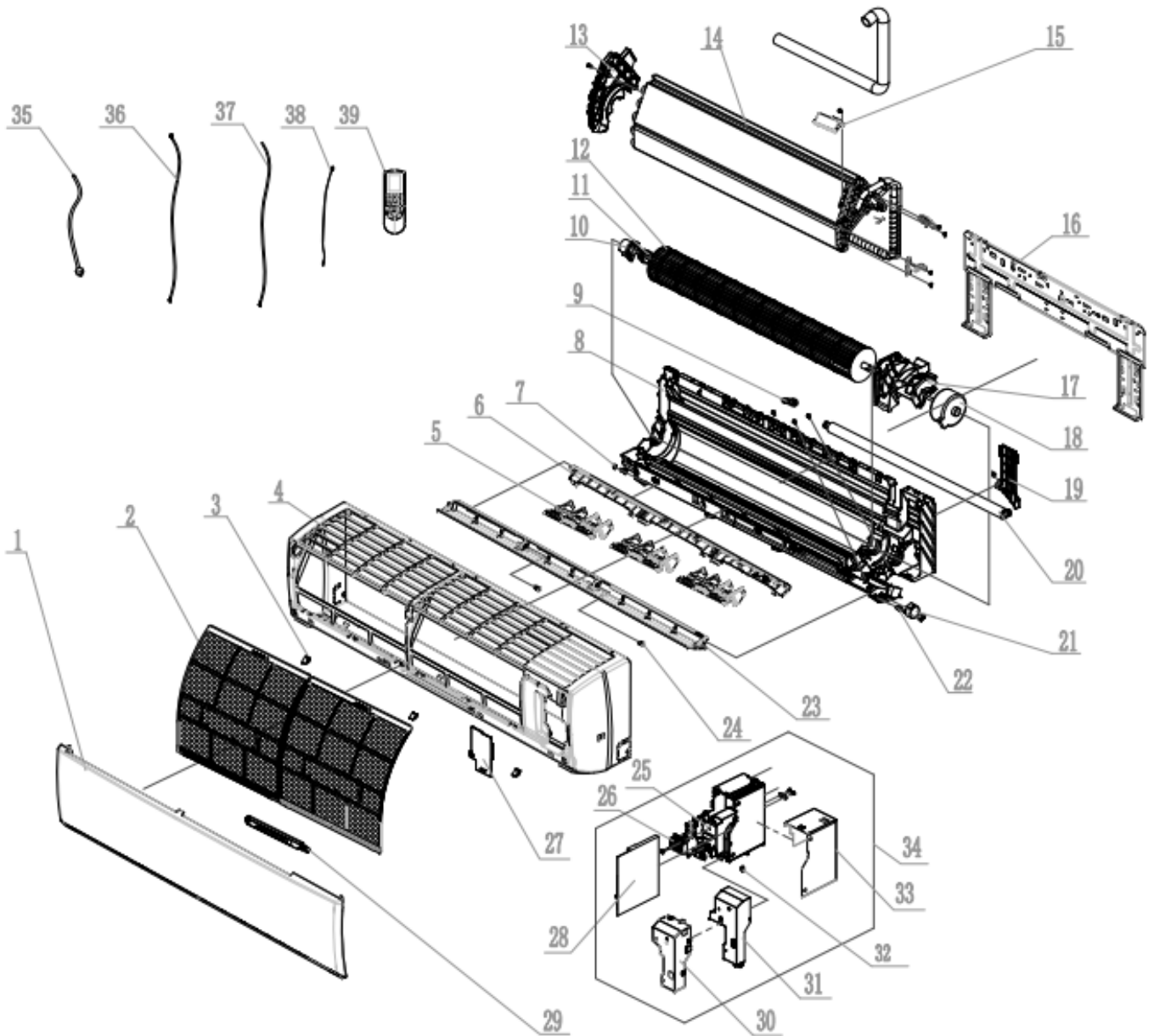
GWH15QD-K6DNA1A/O

Spare Parts List

No.	Part Description	Part Code
1	Front Grill	22413025
2	Front Panel Assy	0153500601
3	Axial Flow Fan	10335008
4	Drainage Plug	N/A
5	Chassis Sub-assy	01700000161P01
6	Drainage Connector	06123401
7	Compressor and Fittings	00103919G
8	4-Way Valve	430004032
9	4-Way Valve Assy	030152000143
10	Capillary Tube	03015737
11	Cut off Valve	07130239
12	Right Side Plate Assy	0130329207
13	Valve Support Assy	01715010P
14	Cut off Valve	071302392
15	Handle	26233053
16	Capacitor CBB65	N/A
17	Temperature Sensor	3900030902
18	Wiring clamp	N/A
19	Rear Grill	01475020
20	Condenser Assy	011002000177
21	Clapboard Sub-Assy	01235081
22	Supporting board(condenser)	N/A
23	Motor Support Sub-Assy	01705067
24	Coping Sub-Assy	000051000017
25	Left Side Plate	01305093P
26	left handle	N/A
27	Terminal Board	420101943
28	Electric Box Assy	100002001886
29	Electric Box Cover	20125002
30	Main Board	300027000296
31	Radiator	4901521502
32	Electric Box	20115003
33	Capacitor CBB61	N/A
34	Electric box (fireproofing)	N/A
35	Fan Motor	1501506402
	EXV Coil	7200200001202

GWH18QE-K6DNC8D/I

Exploded View



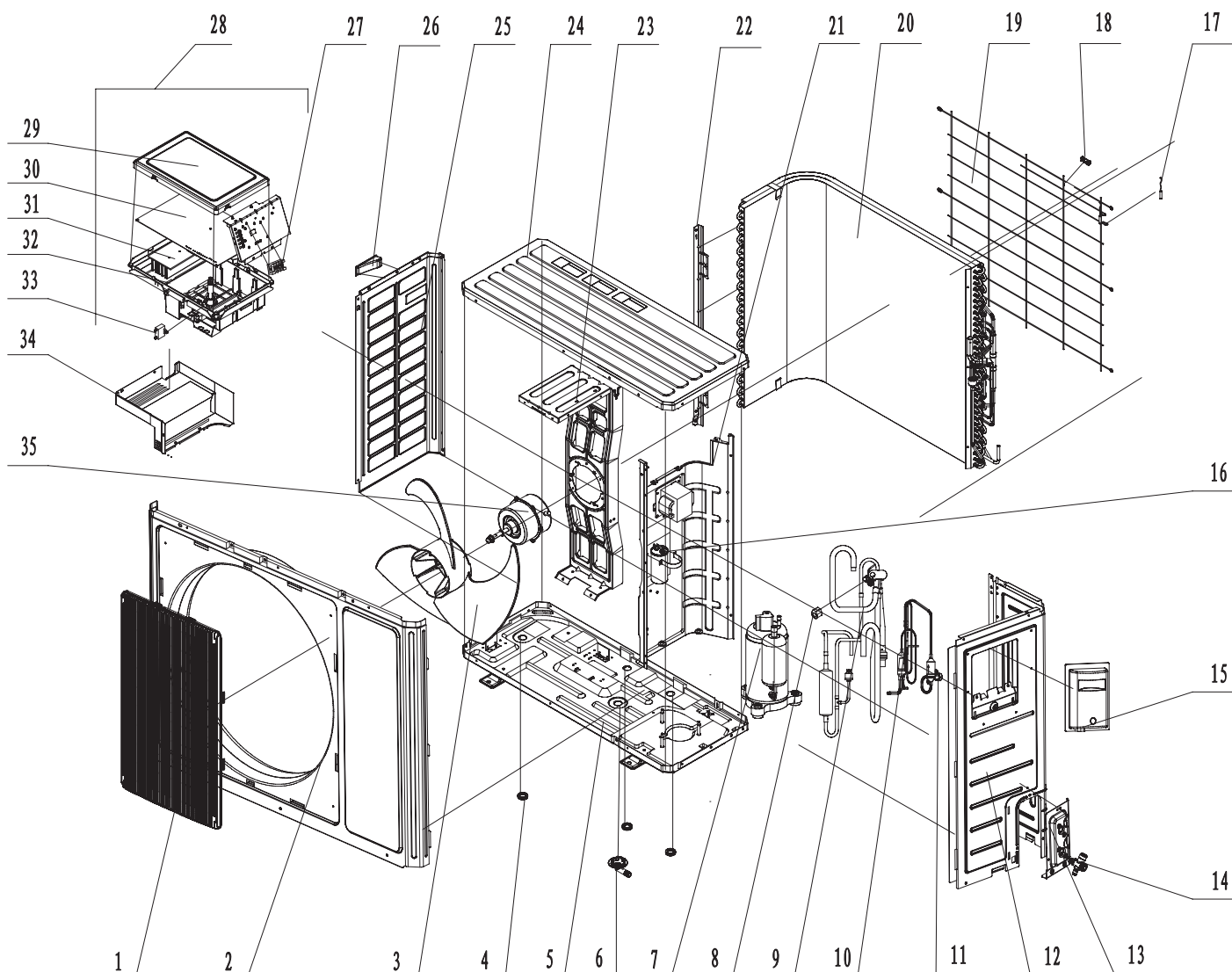
GWH18QE-K6DNC8D/I

Spare Parts List

No.	Part Description	Part Code
1	Front Panel	20000300152T
2	Filter Sub-Assy	1101200703
3	Screw Cover	2425245301
4	Front Case Assy	00000200043
5	Air Louver	10512744
6	Helicoid Tongue sub-assy	26112384
7	Left Axile Bush	10512037
8	Rear Case assy	22202736
9	Rubber Plug (Water Tray)	76712012
10	Ring of Bearing	26152025
11	O-Gasket sub-assy of Bearing	76512051
12	Cross Flow Fan	10352057
13	Evaporator Support	24212178
14	Evaporator Assy	01100100007301
15	Cold Plasma Generator	N/A
16	Wall Mounting Frame	012043000007
17	Motor Press Plate	26112515
18	Fan Motor - 15012136	15012136
19	Connecting pipe clamp	26112514
20	Drainage Hose	0523001405
21	Stepping Motor	1521240212
22	Crank	73012005
23	Guide Louver	1051232001
24	Axile Bush	10542036
25	Electric Box	20112211
26	Terminal Board	42011233
27	Electric Box Cover2	20112210
28	Main Board - ACSG1179 - 300002000878	300002000878
29	Display Board	300001000144
30	Shield Cover of Electric Box	01592176
31	Electric Box Cover	20112209
32	Jumper	4202021928
33	Lower Shield of Electric Box	01592139
34	Electric Box Assy	100002004078
35	Power Cord	N/A
36	Connecting Cable	4002052317
37	Connecting Cable	N/A
38	Temperature Sensor	3900031302
39	Remote Controller	305001000067

GWH18QE-K6DNA1D/O

Exploded View



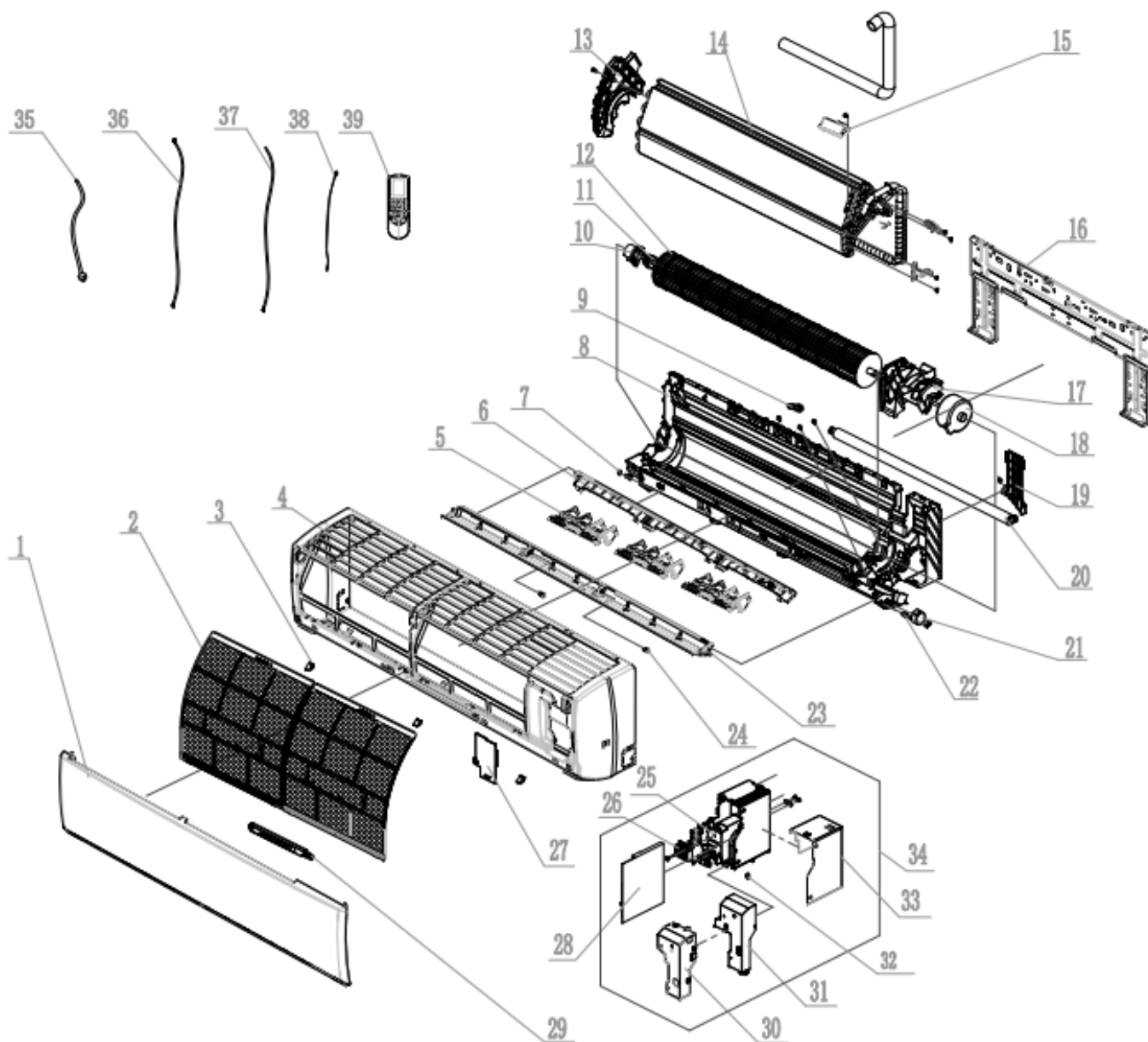
GWH18QE-K6DNA1D/O

Spare Parts List

No.	Part Description	Part Code
1	Front Grill	22413025
2	Front Panel Assy	0000030002503
3	Axial Flow Fan	10335008
4	Drainage Plug	N/A
5	Chassis Sub-assy	01700000161P01
6	Drainage Connector	06123401
7	Compressor and Fittings	00103919G
8	4-Way Valve	430004032
9	4-Way Valve Assy	030152000073
10	Capillary Tube	03015737
11	Cut off Valve	07130239
12	Right Side Plate Assy	0130329207
13	Valve Support Sub-Assy	01705046P
14	Cut off Valve	07133844
15	Handle	26233053
16	Capacitor CBB65	N/A
17	Temperature Sensor	3900030902
18	Wiring clamp	N/A
19	Rear Grill	01475020
20	Condenser Assy	11002000177
21	Clapboard Sub-Assy	01235081
22	Condenser Support Plate	01795031
23	Motor Support Sub-Assy	01705067
24	Coping Sub-Assy	000051000017
25	Left Side Plate	01305093P
26	left handle	N/A
27	Terminal Board	422000060009
28	Electric Box Assy	100002001442
29	Electric Box Cover	20125002
30	Main Board	300027000280
31	Radiator	4901521502
32	Electric Box	20115003
33	Capacitor CBB61	N/A
34	Electric box (fireproofing)	N/A
35	Fan Motor	1501506402
	EXV Coil	7200200001202

GWH21QE-K6DNC8A/I

Exploded View



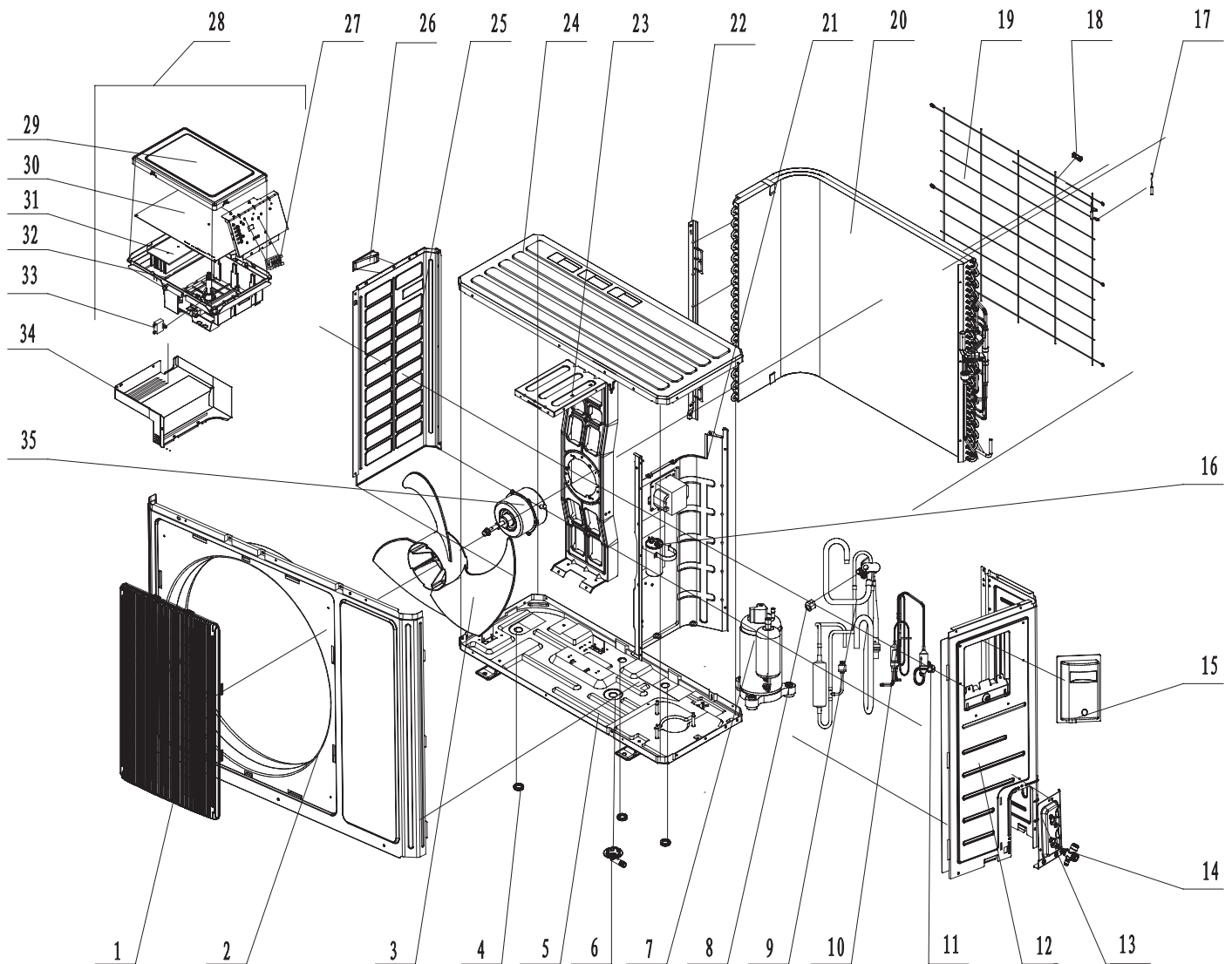
GWH21QE-K6DNC8A/I

Spare Parts List

No.	Part Description	Part Code
1	Front Panel	20000300152T
2	Filter Sub-Assy	1101200703
3	Screw Cover	2425245301
4	Front Case Assy	00000200043
5	Air Louver	10512744
6	Helicoid Tongue sub-assy	26112384
7	Left Axile Bush	10512037
8	Rear Case assy	22202736
9	Rubber Plug (Water Tray)	76712012
10	Ring of Bearing	26152025
11	O-Gasket sub-assy of Bearing	76512051
12	Cross Flow Fan	10352057
13	Evaporator Support	24212178
14	Evaporator Assy	01100100007301
15	Cold Plasma Generator	N/A
16	Wall Mounting Frame	01252229
17	Motor Press Plate	26112515
18	Fan Motor	15012136
19	Connecting pipe clamp	26112514
20	Drainage Hose	0523001405
21	Stepping Motor	1521240212
22	Crank	73012005
23	Guide Louver	1051232001
24	Axile Bush	10542036
25	Electric Box	20112211
26	Terminal Board	42011233
27	Electric Box Cover2	20112210
28	Main Board	300002000878
29	Display Board	300001000144
30	Shield Cover of Electric Box	01592176
31	Electric Box Cover	20112209
32	Jumper	4202021929
33	Lower Shield of Electric Box	01592139
34	Electric Box Assy	100002004087
35	Power Cord	N/A
36	Connecting Cable	4002052317
37	Connecting Cable	N/A
38	Temperature Sensor	3900031302
39	Remote Controller	305001000067

GWH21QE-K6DNA1A/O

Exploded View



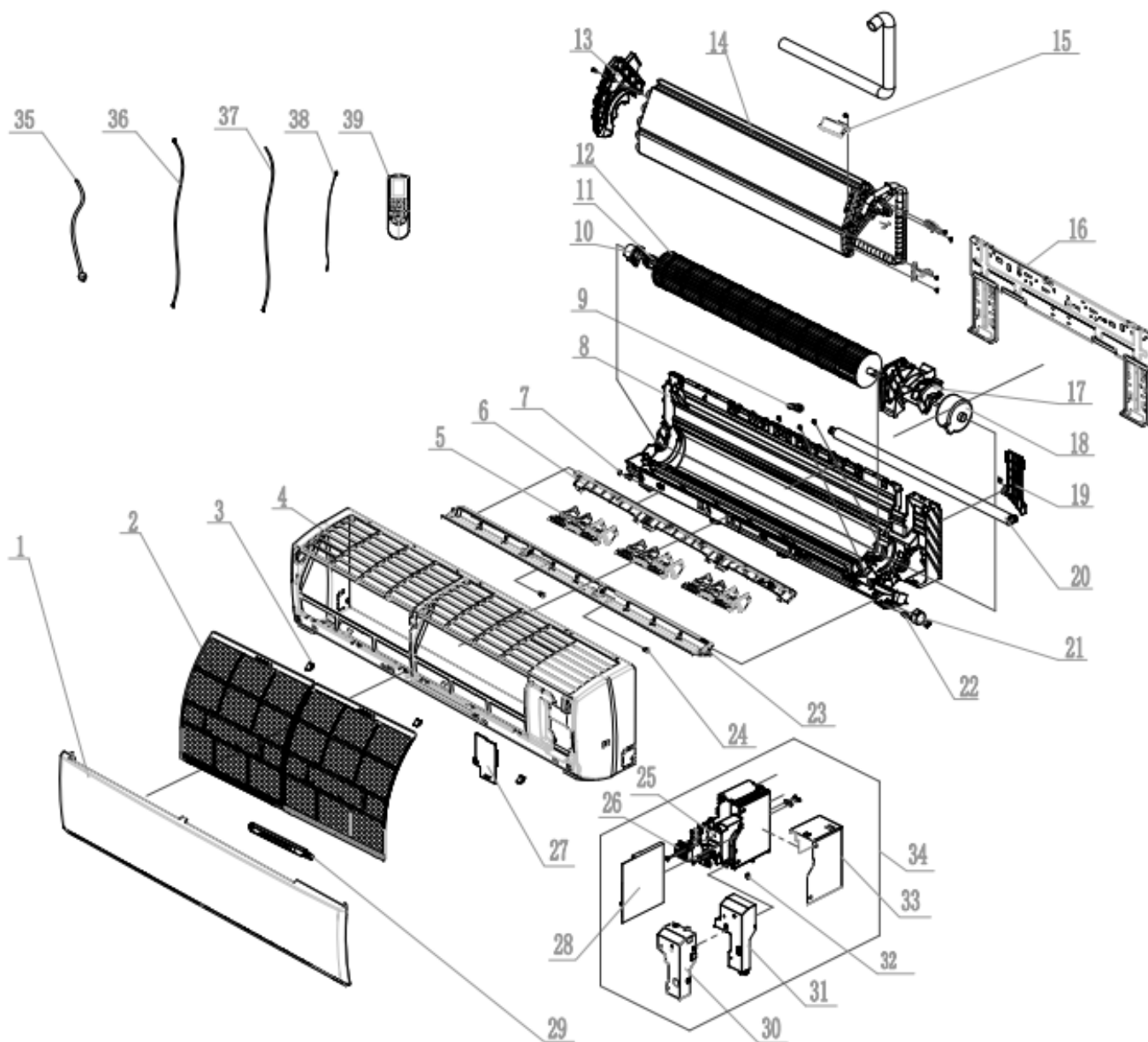
GWH21QE-K6DNA1A/O

Spare Parts List

No.	Part Description	Part Code
1	Front Grill	22413025
2	Front Panel Assy	0000030002503
3	Axial Flow Fan	10335008
4	Drainage Plug	N/A
5	Chassis Sub-assy	017000000208P
6	Drainage Connector	06123401
7	Compressor and Fittings	00105273
8	4-Way Valve	430004032
9	4-Way Valve Assy	030152000255
10	Capillary Tube	03015737
11	Cut off Valve	07130239
12	Right Side Plate Assy	0130329207
13	Valve Support Sub-Assy	01705046P
14	Cut off Valve	07133844
15	Handle	26233053
16	Capacitor CBB65	N/A
17	Temperature Sensor	3900030902
18	Wiring clamp	N/A
19	Rear Grill	01475020
20	Condenser Assy	011002000532_L68157
21	Clapboard Sub-Assy	01235081
22	Condenser Support Plate	01795031
23	Motor Support Sub-Assy	01705067
24	Coping Sub-Assy	000051000017
25	Left Side Plate	01305093P
26	left handle	N/A
27	Terminal Board	422000060009
28	Electric Box Assy	100002001849
29	Electric Box Cover	20125002
30	Main Board	300027000281
31	Radiator	4901521502
32	Electric Box	20115003
33	Capacitor CBB61	N/A
34	Electric box (fireproofing)	N/A
35	Fan Motor	1501506402
	EXV Coil	7200200001202

GWH24QE-K6DNC8D/I

Spare Parts List



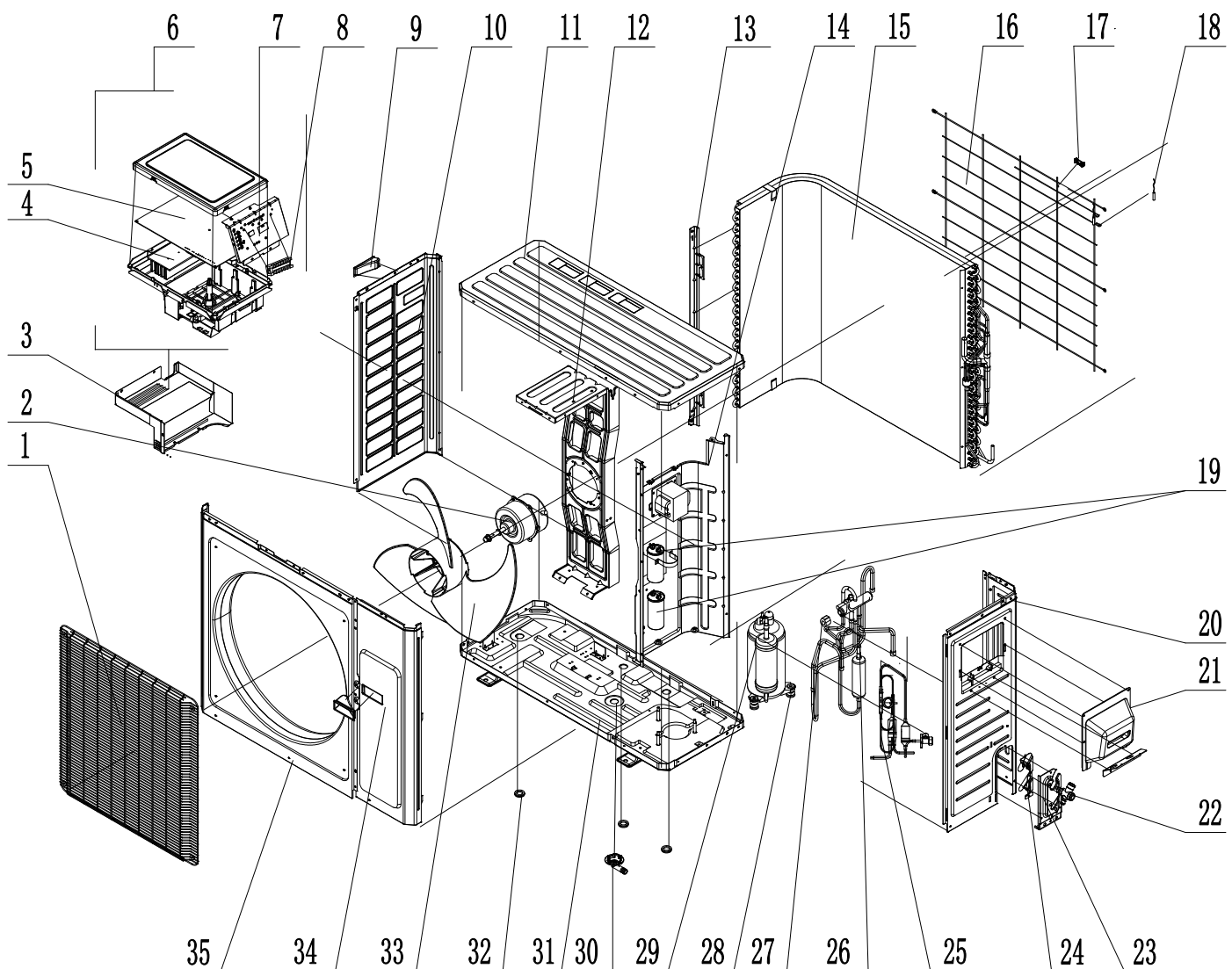
GWH24QE-K6DNC8D/I

Spare Parts List

No.	Part Description	Part Code
1	Front Panel	20000300152T
2	Filter Sub-Assy	1101200703
3	Screw Cover	2425245301
4	Front Case Assy	00000200043
5	Air Louver	10512744
6	Helicoid Tongue sub-assy	26112384
7	Left Axile Bush	10512037
8	Rear Case assy	22202736
9	Rubber Plug (Water Tray)	76712012
10	Ring of Bearing	26152025
11	O-Gasket sub-assy of Bearing	76512051
12	Cross Flow Fan	10352057
13	Evaporator Support	24212178
14	Evaporator Assy	011001000095
15	Cold Plasma Generator	N/A
16	Wall Mounting Frame	01252229
17	Motor Press Plate	26112515
18	Fan Motor	15012136
19	Connecting pipe clamp	26112514
20	Drainage Hose	0523001405
21	Stepping Motor	1521240212
22	Crank	73012005
23	Guide Louver	1051232001
24	Axile Bush	10542036
25	Electric Box	20112211
26	Terminal Board	42011233
27	Electric Box Cover2	20112210
28	Main Board	300002000878
29	Display Board	300001000144
30	Shield Cover of Electric Box	01592176
31	Electric Box Cover	20112209
32	Jumper	4202021929
33	Lower Shield of Electric Box	01592139
34	Electric Box Assy	100002004111
35	Power Cord	N/A
36	Connecting Cable	4002052317
37	Connecting Cable	N/A
38	Temperature Sensor	3900031302
39	Remote Controller	305001000067

GWH24QE-K6DNA1D/O

Exploded View



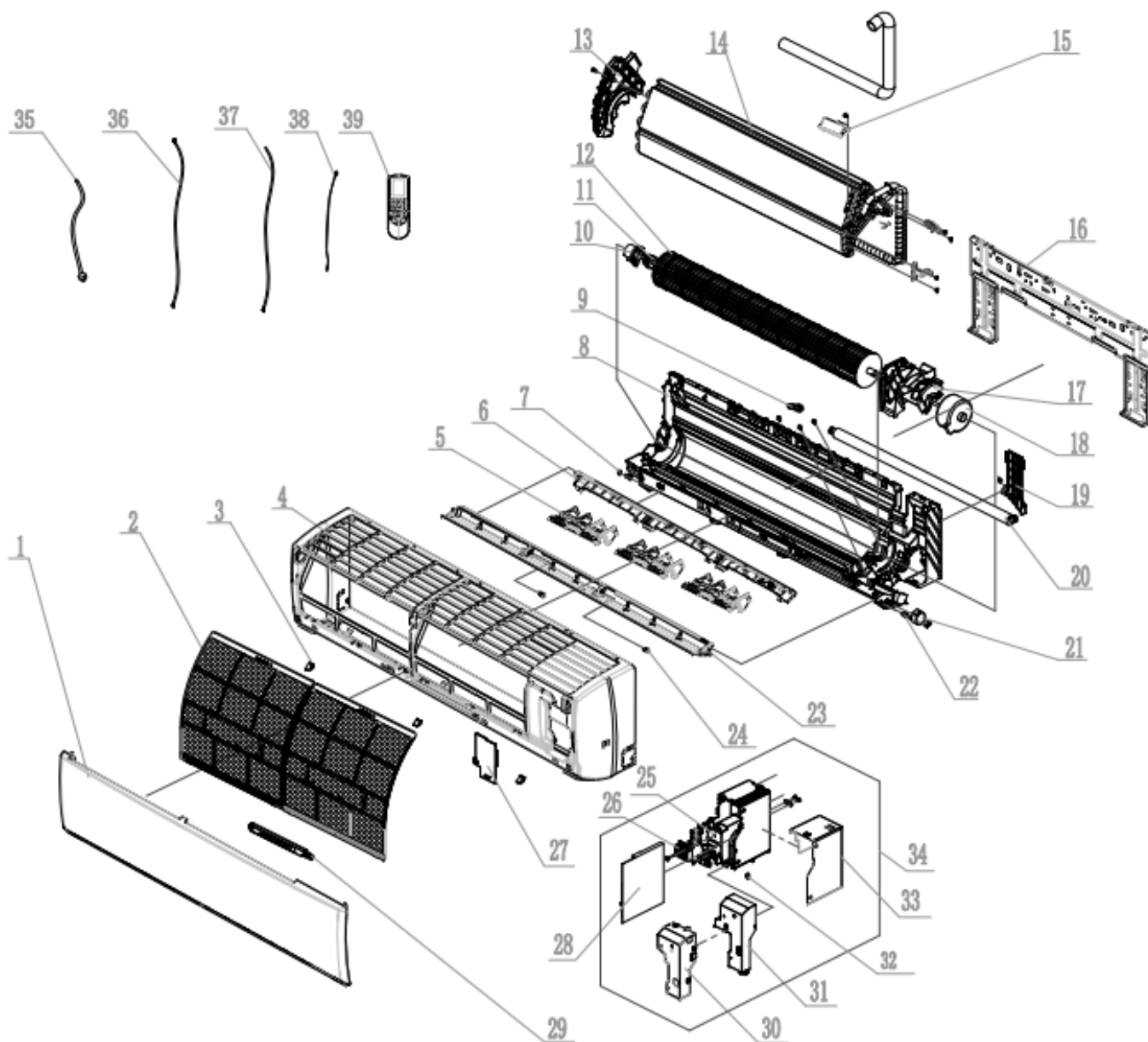
GWH24QE-K6DNA1D/O

Spare Parts List

No.	Part Description	Part Code
1	Front Grill	22413048
2	Brushless DC Motor	15010400000102
3	Electric Box (Fireproofing)	N/A
4	Radiator	4901521502
5	Main Board	300027000313
6	Electric Box Assy	100002001658
7	Terminal Board Support sub-assy	01715016
8	Terminal Board	422000060009
9	Handle	26233053
10	Left Side Plate	01305043P
11	Coping	01255020P
12	Motor Support Sub-Assy	017012000015
13	Condenser Support Plate	01175092
14	Clapboard Sub-Assy	01233182
15	Condenser Assy	11002000459
16	Rear Grill	01475013
17	Wiring Clamp	26115004
18	Temperature Sensor	3900030901
19	Capacitor CBB65	N/A
20	Right Side Plate	0130504401P
21	Big Handle	26235001
22	Cut off Valve	07133157
23	Valve Support Sub-Assy	0171501201P
24	Baffle (valve support)	N/A
25	Capillary	81020248
26	4-Way Valve Assy	03073441
27	Magnet Coil	4300040045
28	Compressor Gasket	76713066
29	Compressor and Fittings	00105273
30	Drainage Connector	06123401
31	Chassis Sub-assy	02803196P
32	Drainage Plug	N/A
33	Axial Flow Fan	10335014
34	Front Side Plate	01305086P
35	Front Panel Assy	0220020000101
	EXV Coil	43000344

GWH28QE-K6DNC8D/I

Exploded View



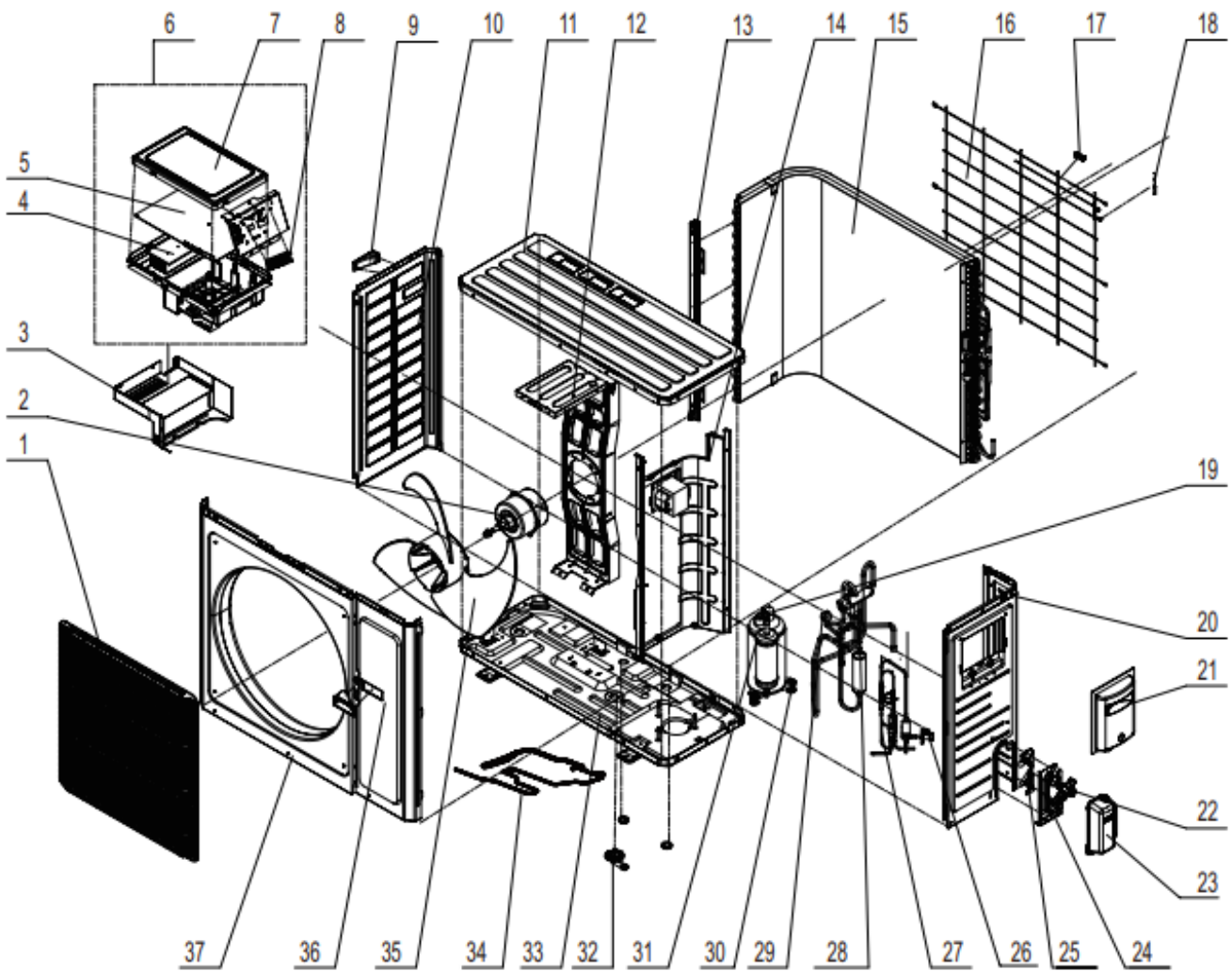
GWH28QE-K6DNC8D/I

Spare Parts List

No.	Part Description	Part Code
1	Front Panel	20000300152T
2	Filter Sub-Assy	1101200703
3	Screw Cover	2425245301
4	Front Case Assy	00000200043
5	Air Louver	10512744
6	Helicoid Tongue sub-assy	26112384
7	Left Axile Bush	10512037
8	Rear Case assy	22202736
9	Rubber Plug (Water Tray)	76712012
10	Ring of Bearing	26152025
11	O-Gasket sub-assy of Bearing	76512051
12	Cross Flow Fan	10352057
13	Evaporator Support	24212178
14	Evaporator Assy	011001000095
15	Cold Plasma Generator	N/A
16	Wall Mounting Frame	01252229
17	Motor Press Plate	26112515
18	Fan Motor	15012136
19	Connecting pipe clamp	26112514
20	Drainage Hose	0523001405
21	Stepping Motor	1521240212
22	Crank	73012005
23	Guide Louver	1051232001
24	Axile Bush	10542036
25	Electric Box	20112211
26	Terminal Board	42011233
27	Electric Box Cover2	20112210
28	Main Board	300002000878
29	Display Board	300001000144
30	Shield Cover of Electric Box	01592176
31	Electric Box Cover	20112209
32	Jumper	4202021929
33	Lower Shield of Electric Box	01592139
34	Electric Box Assy	100002004111
35	Power Cord	N/A
36	Connecting Cable	4002052317
37	Connecting Cable	N/A
38	Temperature Sensor	3900031302
39	Remote Controller	305001000067

GWH28QE-K6DNA1D/O

Exploded View



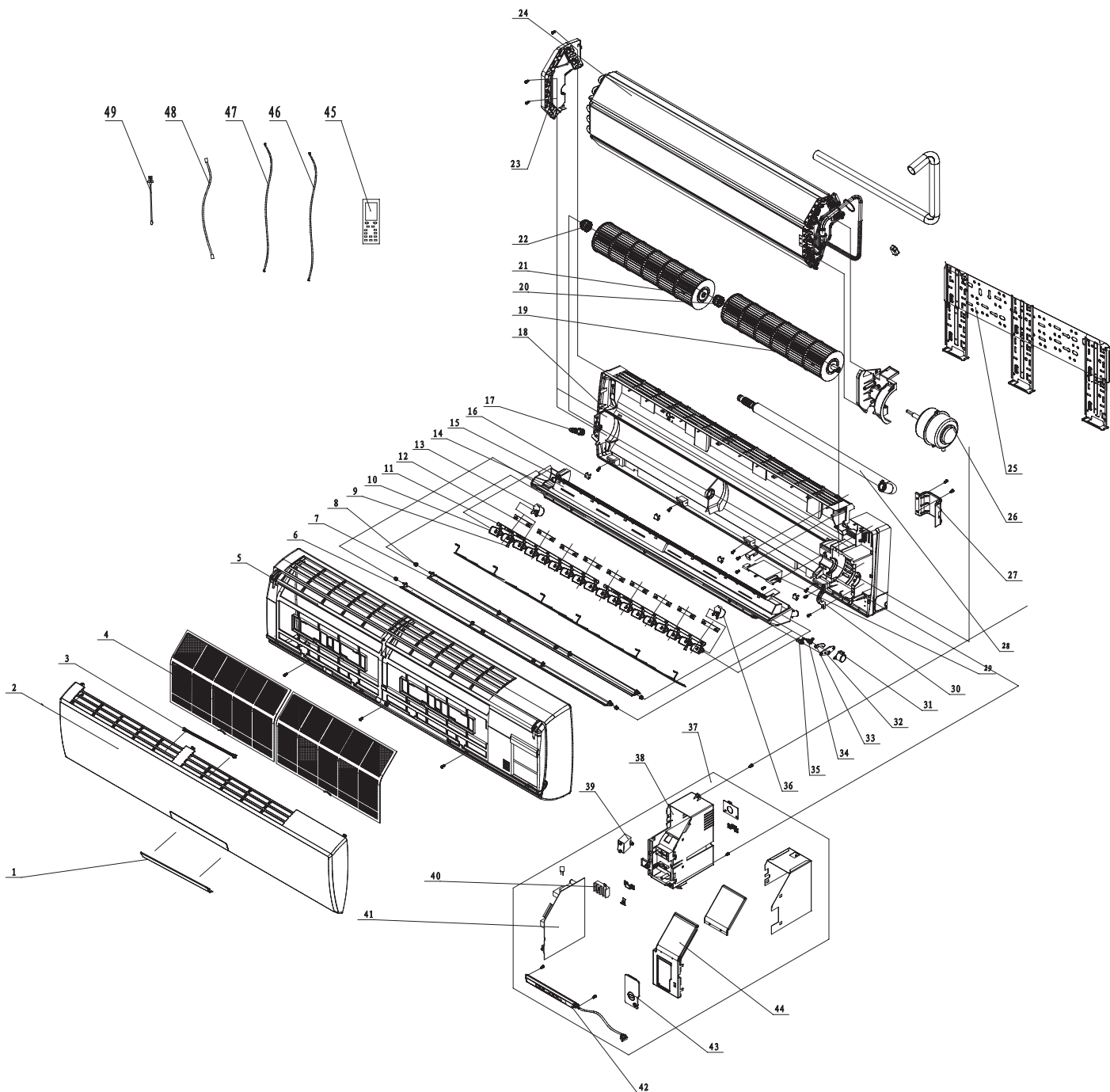
GWH28QE-K6DNA1D/O

Spare Parts List

No.	Part Description	Part Code
1	Front Grill	22413048
2	Brushless DC Motor	15010400000102
3	Electric Box (Fireproofing)	N/A
4	Radiator	4901521502
5	Main Board	300027000312
6	Electric Box Assy	100002001656
7	Terminal Board Support sub-assy	01715016
8	Terminal Board	422000060009
9	Handle	26233053
10	Left Side Plate	01305043P
11	Coping	01255020P
12	Motor Support Sub-Assy	017012000015
13	Condenser Support Plate	01175092
14	Clapboard Sub-Assy	01233182
15	Condenser Assy	011002000459_L68157
16	Rear Grill	01475013
17	Wiring Clamp	26115004
18	Temperature Sensor	3900030901
19	Capacitor CBB65	N/A
20	Right Side Plate	0130504401P
21	Big Handle	26235001
22	Cut off Valve	07133157
23	Valve Cover	22245003
24	Valve Support Sub-Assy	0171501201P
25	Baffle (valve support)	N/A
26	Cut off Valve	#07130239
27	Electronic Expansion Valve	43005016
28	4-Way Valve Assy	030152000310
29	Magnet Coil	4300040045
30	Compressor Gasket	76713066
31	Compressor and Fittings	00105273
32	Drainage Connector	06123401
33	Chassis Sub-assy	02803196P
34	Drainage Plug	N/A
35	Axial Flow Fan	10335014
36	Front Side Plate	01305086P
37	Front Panel Assy	0220020000101
	EXV Coil	43000344

GWH32QF-K6DNB2D/I(WIFI)

Exploded View



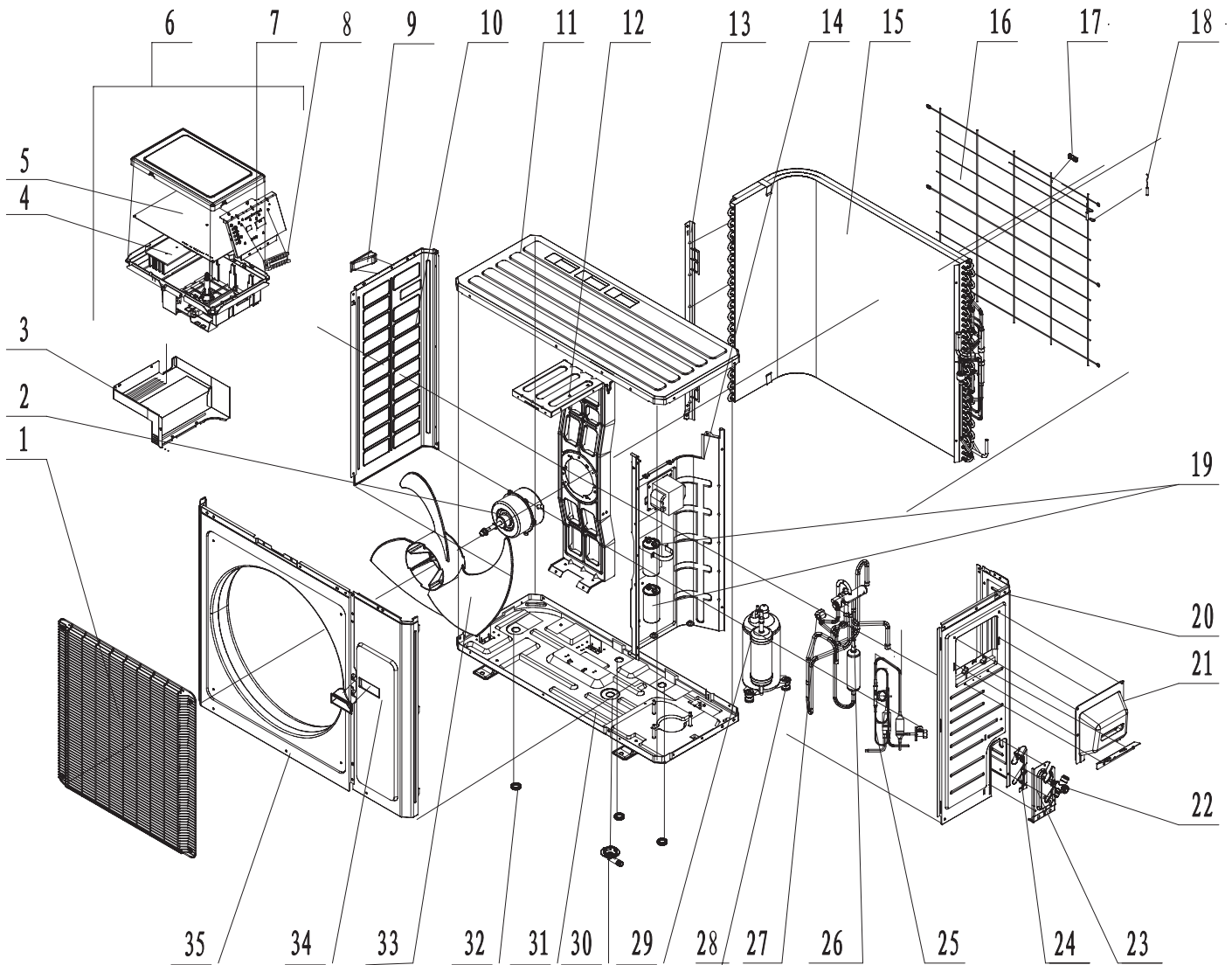
GWH32QF-K6DNB2D/I(WIFI)

Spare Parts List

No.	Part Description	Part Code
1	Receiver Window Sub-Assy	22430023
2	Front Panel	20000300022S
3	Stand Bar	2421212001
4	Filter Sub-Assy	1112210602
5	Front Case Sub-Assy	209007060094
6	Upper Guide Louver	1051216602
7	Lower Guide Louver	1051216702
8	Axile Bush	10542704
9	Air Louver 2	1051216902
10	Air Louver 1	1051216802
11	Connecting Rod	10582086
12	Louver Clamp	26112127
13	SteppingMotor	1501207902
14	Water Tray	2018213802
15	Air Guider System in Water Tray Assy	N/A
16	Screw Cover	242520054
17	Rubber Plug (Water Tray)	76712012
18	Rear Case Sub-Assy	000001060282
19	Cross Flow Fan 1	10352039
20	Bearing Holder Sub-assy	26152028
21	Cross Flow Fan 2	10352040
22	O-Gasket sub-assy of Bearing	76512051
23	Left Evaporator Support	24212041
24	Evaporator Assy	01100100014001
25	Wall Mounting Frame	01252398
26	Fan Motor	1501213401
27	Pipe Clamp	26112071
28	Drainage Hose	0523001404
29	Cover Plate	2012212401
30	Motor Fixed Clip 1	26112324
31	SteppingMotor	1521210701
32	Press Plate(Crank)	26112070
33	Crank-guide	10582041
34	Upper Crank	10562004
35	Lower crank	10562005
36	SteppingMotor	15012122
37	Electric Box Assy	100002004207
38	Electric Box	201022502
39	Capacitor CBB61	N/A
40	Terminal Board	42011233
41	Main Board	300002000880
42	Display Board	300001000148
43	Electric Box Cover	201022523
44	Electric Box Cover	2011204404S
45	Remote Controller	305001000067
46	Connecting Cable	N/A
47	Connecting Cable	4002052318
48	Temperature Sensor	390000592
49	Temperature Sensor	390000453

GWH32QF-K6DNB2D/O

Exploded View



GWH32QF-K6DNB2D/O

Exploded View

No.	Part Description	Part Code
1	Front Grill	22413048
2	Brushless DC Motor	15010400000102
3	Electric Box (Fireproofing)	N/A
4	Radiator	4901521502
5	Main Board	300027000453
6	Electric Box Assy	100002002539
7	Terminal Board Support sub-assy	01715016
8	Terminal Board	422000060014
9	Handle	26233053
10	Left Side Plate	01305043P
11	Coping	01255020P
12	Motor Support Sub-Assy	017012000015
13	Condenser Support Plate	01175092
14	Clapboard Sub-Assy	01233182
15	Condenser Assy	011002000459_L68157
16	Rear Grill	01475013
17	Wiring Clamp	26115004
18	Temperature Sensor	3900030901
19	Capacitor CBB65	N/A
20	Right Side Plate	0130504401P
21	Big Handle	26235001
22	Cut off Valve	07133157
23	Valve Support Sub-Assy	0171501201P
24	Baffle (valve support)	N/A
25	Capillary	81020248
26	4-Way Valve Assy	030152000333
27	Magnet Coil	4300040045
28	Compressor Gasket	009012000004
29	Compressor and Fittings	00900100019501
30	Drainage Connector	06123401
31	Chassis Sub-assy	02803196P
32	Drainage Plug	N/A
33	Axial Flow Fan	10335014
34	Front Side Plate	01305086P
35	Front Panel Assy	02200200001
	EXV Coil	43000344

It is the policy of Gree Australia to introduce continuous product improvements.
Accordingly, specifications are subject to change without notice.
Please consult with your dealer to confirm the specifications of the model selected.

1800 473 346
greeac.com.au

